



**MEDIUM SECURITY
SAFE** FOR THE
PROTECTION OF
DOCUMENTS, CASH
AND VALUABLES
AGAINST BURGLARY
ATTACKS AND FIRE



FORTRESS SAFE

BURGLARY- & FIRE-RESISTANT PROTECTION



KEY FEATURES

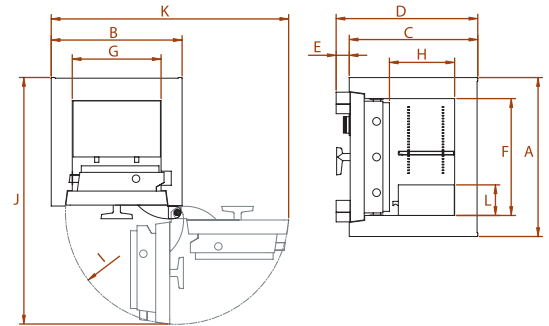
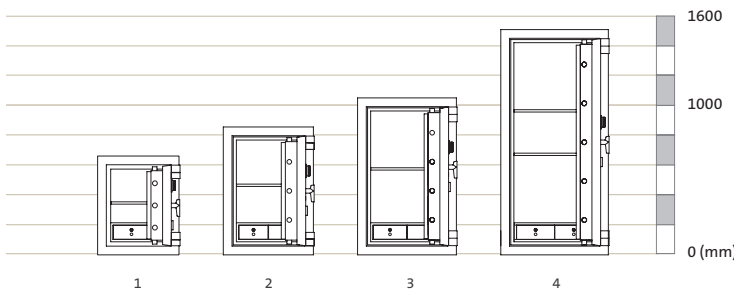
- Overall body thickness 90mm consist of inner and outer plates enclosing a seamless casting of Chubbsafes CENTRIX I specially formulated barrier material, provides formidable barrier to potential attacks.
- Overall door thickness of 138mm with an effective thickness of 30mm filled with Chubbsafes CENTRIX I specially formulated steel fibre barrier material to increase overall strength.
- Door is secured by 3-way moving steel bolts 32mm in diameter. A full length docking bolt secure the back edge of the door.
- Fitted with a 3-wheel Keyless Combination Lock protected by a Glass Relocker and a 8-lever Key Lock. The key lock and relocker are further protected by drill resistant hard plates.
- Fire Resistance tested to a level corresponding to the Japanese Industrial Standard JIS S1037 : 1981 with fire resistance for up to 60 minutes.
- A Polyurethane base paint finish is used to coat the body and door. The paint is scratch resistant and durable.

FORTRESS SAFE

PRODUCT SPECIFICATIONS

| Size | (A) External Height (mm) | (B) External Width (mm) | (C) External Depth (mm) | (D) Clear depth over hinge | (F) Internal Height (mm) | (G) Internal Width (mm) | (H) Internal Depth (mm) | (I) Door Swing | (J) Depth with door at 90° | (K) Width when door fully open | Nett weight (kgs) | Gross weight (kgs) | capacity (Litres) | Nett weight with night drawer trap (kgs) |
|------|--------------------------|-------------------------|-------------------------|----------------------------|--------------------------|-------------------------|-------------------------|----------------|----------------------------|--------------------------------|-------------------|--------------------|-------------------|--|
| 1 | 680 | 560 | 520 | 576 | 500 | 380 | 270 | 478 | 1025 | 1016 | 350 | 390 | 51 | 460 |
| 2 | 880 | 620 | 580 | 636 | 700 | 440 | 330 | 538 | 1145 | 1136 | 490 | 538 | 102 | 610 |
| 3 | 1080 | 680 | 640 | 696 | 900 | 500 | 390 | 597 | 1264 | 1254 | 660 | 728 | 176 | 810 |
| 4 | 1550 | 740 | 870 | 926 | 1370 | 560 | 620 | 658 | 1555 | 1376 | 1180 | 1265 | 476 | - |

* (E) Furniture projection 56mm / (L) Internal drawer height 130mm



STANDARD LOCKS



KEY LOCK

Secured by one 8-lever double bitted Key Lock from Germany



COMBINATION LOCK

Secured by one 3-wheel Keyless Combination Lock. Capable of 1,000,000 changes of code. The code can be changed easily and security can be maintained over the safe whenever there is a change of staff.

LOCK OPTION:



ELECTRONIC LOCK

INTERNAL FITTING

The safes comes with a standard adjustable shelf and internal drawers secure by a key lock.

OPTIONS



NIGHT DRAWER TRAP (NDT)

For night deposit with "Anti-Fishing Plate"

Drawer Clear Opening: 239mm(W) x 153mm (H) x 125mm(D)
Night Drawer Trap External Height: 254mm

ENVELOPE SLOT

Envelope slot on the top of the safe for night deposit with "Anti-Fishing Plate".
Slot size 13mm(W) x 152mm(L)

Authorized dealer

GUNNEBO MALAYSIA SDN. BHD. (877658-K)

Suite 13A.01, Level 13A
Menara Summit
Persiaran Kewajipan USJ 1,
47600 Subang Jaya, Selangor
Tel: + 603-8024 3050
Fax: + 603-8024 3051
Website: www.gunnebo.com.my
Email: info.my@gunnebo.com

www.chubbsafes.com.my