



PROVIDE **FIRE**
PROTECTION FOR ANY
PAPER BASED
DOCUMENTS IN THE
EVENT OF A SEVERE FIRE

Tested and certified to UL 72 Class 350 for
2 hours



RPF CABINET 5200

FIRE-RESISTANT DOCUMENT PROTECTION



UL 72
Class 350
2hr

KEY FEATURES

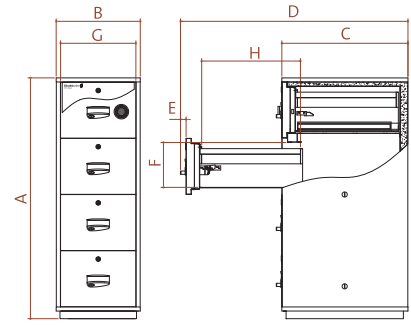
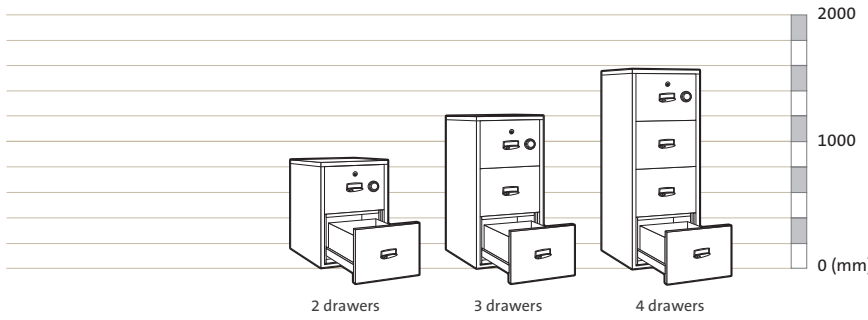
- The body has an overall thickness of 57mm insulated with Chubb's patented PCDE fire resistant material.
- The drawers constructed with an overall thickness of 56mm. Each drawer is suspended on full extension rails with bearings for durability and for ease of use. The drawers designed to fit most paper hoist and box files.
- 2 hour fire rated in compliance to UL 72 Class 350 (Fire Endurance Test) which represents one of the highest and most stringent test currently used to evaluate record protection equipment.
- Central Locking: One 3-wheel keyless combination lock and one key lock on the top drawer' controlling all drawers.
- Individual Locking: One 3-wheel keyless combination lock and key lock on the top drawer' controlling all drawers. In addition, there is one key lock on each subsequent drawer.
- A choice of Electronic Lock may also be fitted.
- A scratch resistant Polyurethane based finish.

RPF CABINET 5200

PRODUCT SPECIFICATIONS

Model	(A) External height (mm)	(B) External Width (mm)	(C) External Depth (mm)	(F) Internal drawer height (mm)	(G) Internal drawer width (mm)	(H) Internal drawer depth (mm)	Nett weight (kg)
5202 - 2 Drawers	839	551	824	292	387	645	200
5203 - 3 Drawers	1206	551	824	292	387	645	270
5204 - 4 Drawers	1573	551	824	292	387	645	350

(D) Clear depth over furniture 1480mm / (E) Furniture Projection 40mm



DRAWINGS NOT TO SCALE

TESTED IN COMPLIANCE TO UL 72 CLASS 350 FIRE ENDURANCE

STAGE 1:

The Filing Cabinet is placed in a furnace and heated to a temperature 1090°C for 2 hours.

STAGE 2:

The furnace burners are switched off and the cabinet remain in the furnace for a period of controlled cooling to stimulate an 'after fire' environment. The Cabinet has been designed to limit internal temperature not more than 177°C.



A Chubbsafes cabinet in the furnace showing its resistance to temperatures over 1000°C for up to 2 hours.



This product is classified to UL Standards and requirements by Underwriters Laboratories Inc. UL72 Class 350

NOTE:

These products are designed primarily to provide protection against fire for paper documents. For recommended storage of computer-based media, ask for details of Chubbsafes Data Cabinet. For protection against physical attacks, ask for details of Chubbsafes' safes.

Authorised dealer

GUNNEBO MALAYSIA SDN BHD (877658-K)
 Suite 13A.01, Level 13A, Menara Summit,
 Persiaran Kewajipan USJ 1, 47600 Subang Jaya,
 Selangor Darul Ehsan
 Tel: 03-8024 3050 / Fax: 03-8024 3051
 Website: www.gunnebo.com.my
 Email: info.my@gunnebo.com

www.chubbsafes.com.my